

BGSM-120

Communicating... Simply... Anywhere!



- GSM Quad-Band
- Simulates land line
- Switches to GSM Network in the event land line trouble (line down)
- Manages incoming/outgoing calls
- 3 programmable terminals as outputs or inputs
- Telephone voice dialer: 8 voice messages of up to 16 s each
- SMS dialer: 11 SMS messages of 100 characters (2 for each Input, 4 for Status and 1 Periodic)
- 8 telephone numbers for the Telephone and SMS dialers
- Supports Contact ID format from a connected panel, for communication over the GPRS/Internet network to the Sur-Gard System III / II receivers
- 4 phone numbers for Contact ID Dialer on GPRS

- Up to 100 telephone numbers for the remote activation of the outputs through caller identification (zero charges)
- Remote activation of the outputs through SMS transmission
- Program max 100 telephone numbers to have access to the device (White List) to trigger the onboard outputs and block all others (Black List)
- Credit balance check for pre-paid SIM CARDS
- Monitoring of communication service when used in conjunction with a VoIP service (PTM)
- PC-programmable options



BENTEL[®]
SECURITY

A Tyco International Company

www.bentelsecurity.com

BGSM-120

GSM / GPRS Universal Communicator

The BGSM-120 is a GSM Interface and a Standalone device capable of generating voice dialer messages and SMS event notifications. Its onboard outputs can be triggered remotely via Telephone to activate external equipment or indicators. The BGSM-120 simulates the PSTN line and decodes Contact ID format, so it is virtually "invisible" to the control panel it is connected to.

Simple to install and program (plug and play approach), the BGSM-120 is equipped with a quad band GSM/GPRS radio and remote antenna with magnetic base. Its extremely small size and low current draw allows for installation inside the control panel's cabinet and does not require an additional battery.

The BGSM-120 is the best solution for reliable GSM alarm communication back up for the majority of applications whether new or existing system upgrades.

RANGE

- **BGSM-120KEA:** kit consisting of P.C.B., antenna with 2 m cable, metal bracket and supports
- **BGSM-120KCA:** kit consisting of P.C.B., antenna with 25 cm cable and supports
- **BGSM-120BA:** kit consisting of P.C.B., antenna with 25 cm cable and container

ACCESSORIES

- **BGSM-100CA:** GSM antenna with magnetic base and 25 cm cable
- **ANTE-EU:** GSM antenna with 15 m cable and accessories for fixing to a stake (NOT compatible with BGSM-120BA)
- **MAXIASNC:** anti-tamper switch for BGSM-120BA
- **PC-LINK:** programming cable



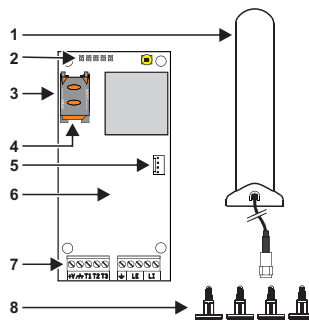
MKTSSBLEBGSM120 R000

Terminal Description		
+V	Power supply positive: 9.6 to 27.6 Vdc	⊥ This terminal must be connected to the Mains Earth
-	Negative	LE These terminals can be connected to the land line
T1 T2 T3	These terminals can be programmed as: Open collector outputs; Input lines	LI These terminals must be connected to the control panel

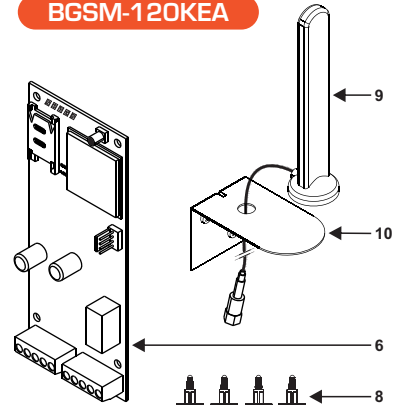
Part Identification		
1	GSM antenna with magnetic base and 25 cm cable	8 Adesive plastic support
2	Status LEDs	9 GSM antenna with magnetic base and 2 m cable
3	SIM holder	10 Metal bracket
4	SIM-CARD (not provided!)	11 Metal base
5	Connector for programming via PC	12 Cover
6	GSM Module	13 Tamper switch MAXIASNC ((optional)
7	Terminal Blocks	

Technical Specifications	
Input Voltage	9.6 to 27.6 Vdc
Standby current	100 mA max. (outputs excluded) at 13.8 Vdc
Alarm (Transmitting) current	200 mA max. (outputs excluded) at 13.8 Vdc
Outputs	3 open collector, 100 mA
Operating frequency	900/1800 Mhz or 850/1900 Mhz
Max. loopresistanceofflinebetween the device connected in series on LI	1 Kohm
Maximum number of parallel devices connected on LI	2
Operating Temperature	5 to 40 °C / 41 to 104 °F
P.C.B. dimensions	60.45 x 142 mm
P.C.B. weight	77 g

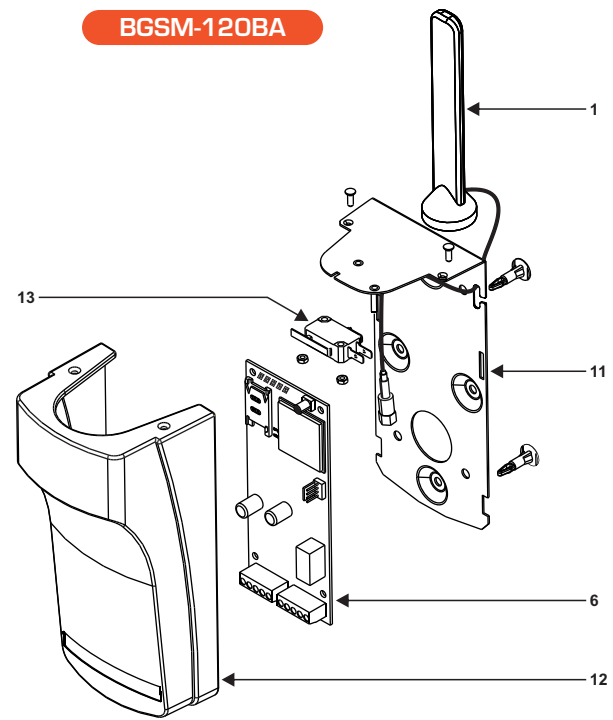
BGSM-120KCA



BGSM-120KEA



BGSM-120BA



BENTEL SECURITY S.r.L.

Via Gabbiano 22, Zona Industriale S. Scolastica - 64013 Corropoli (TE) Italy
Tel. +39 0861 839060 - Fax +39 0861 839065
www.bentelsecurity.com - infobentelsecurity@tycoint.com

